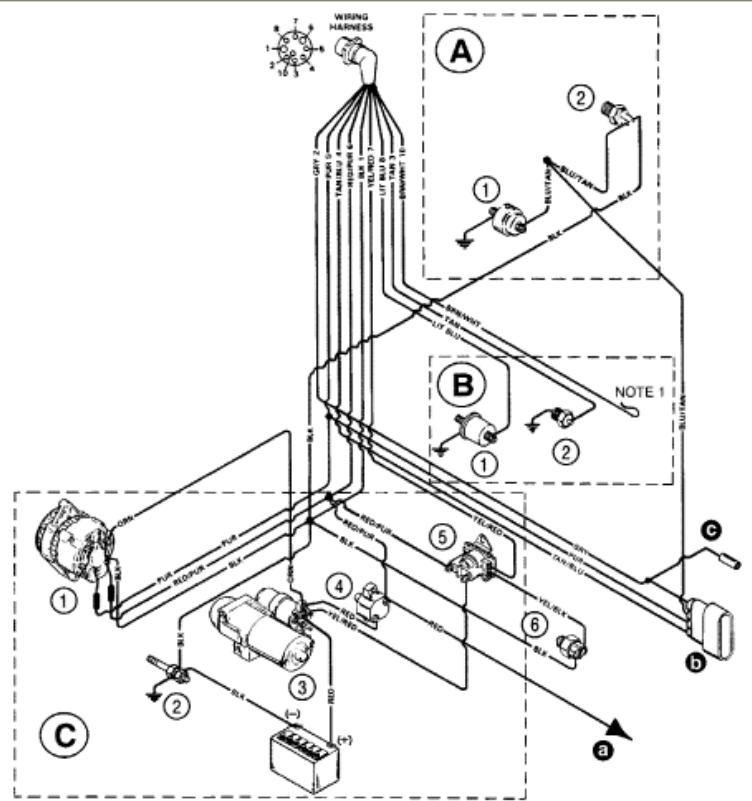


Parts List

Ref	Class	Part	Description	Qty	Comment	Footnote
-	84	806217A13	WIRING HARNESS-ENGINE	1		



NOTE 1: Taped back BROWN and BLACK wire may be used for an accessory. LOAD MUST NOT EXCEED 5 AMPS

A - Audio Warning System

- 1 - Oil Pressure Switch
- 2 - Transmission Fluid Temperature Switch

B - Instrumentation System

- 1 - Oil Pressure Sender
- 2 - Water Temperature Sender

C - Charging and Starting System

- 1 - Alternator
- 2 - Ground Stud
- 3 - Starter
- 4 - Circuit Breaker
- 5 - Starter Slave Solenoid
- 6 - Neutral Safety Switch

- a - Positive Power Wire To EFI System Harness
- b - Harness Connector To EFI System Harness
- c - Auxiliary Tachometer Lead