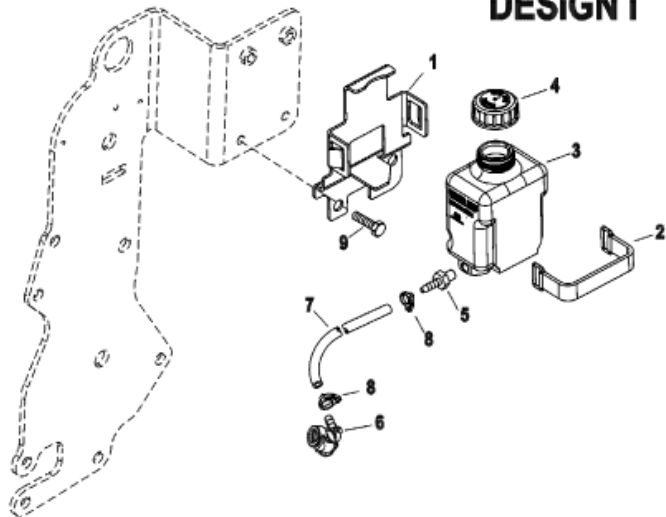
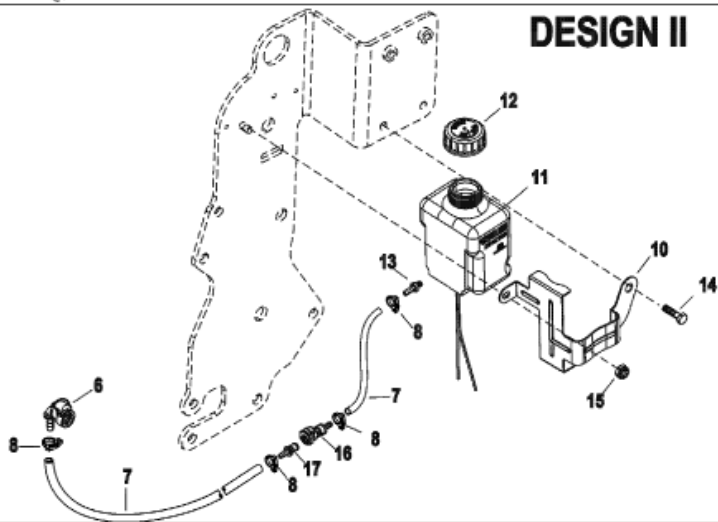


DESIGN I



DESIGN II



2188

Parts List

Ref	Class	Part	Description	Qty	Comment	Footnote
1		860065A	BRACKET KIT, Oil Bottle - Lube M	1	(Design I)(All) SN# 0M639999 & B.	
1		860065A	BRACKET KIT, Oil Bottle - Lube M	1	(Design I)(Closed Cooling) SN# 0V	
2		808023T	STRAP, Bracket - Reservoir Retz	1		
3		806193A36	RESERVOIR, Lube Monitor	1	(Design I)(All) SN# 0M639999 & B.	
3		806193A36	RESERVOIR, Lube Monitor	1	(Design I)(Closed Cooling) SN# 0V	
4	36	806727	CAP, Lube Reservoir	1		
5	22	808624	CONNECTOR, Lube Reservoir	1		
6	22	861163	QUICK CONNECTOR, (90 Degree)	1		
7	32	19409	HOSE, (.54.00 Inches Bulk)	1		
8	54	41582	CLAMP, Nylon, Hose	A/R		
9	10	98261	SCREW, (.375-16 x .750)	2		
10		865175T	BRACKET, Lube Monitor Reservoir	1	(Design II)(Standard Cooling) SN#	1
11		806193A37	RESERVOIR, Lube Monitor	1	(Design II)(Standard Cooling) SN#	1
12	36	806727	CAP, Lube Reservoir	1		
13	22	808624	CONNECTOR, Lube Reservoir	1		
14	10	828552	SCREW, (.375-16 x .500)	1		
15	11	826709	NUT, (.250-20)	1		
16	22	865190	CONNECTOR, Female	1	SN# 0M640000 & Up	1
17	22	865191	FITTING, Male	1	SN# 0M640000 & Up	1