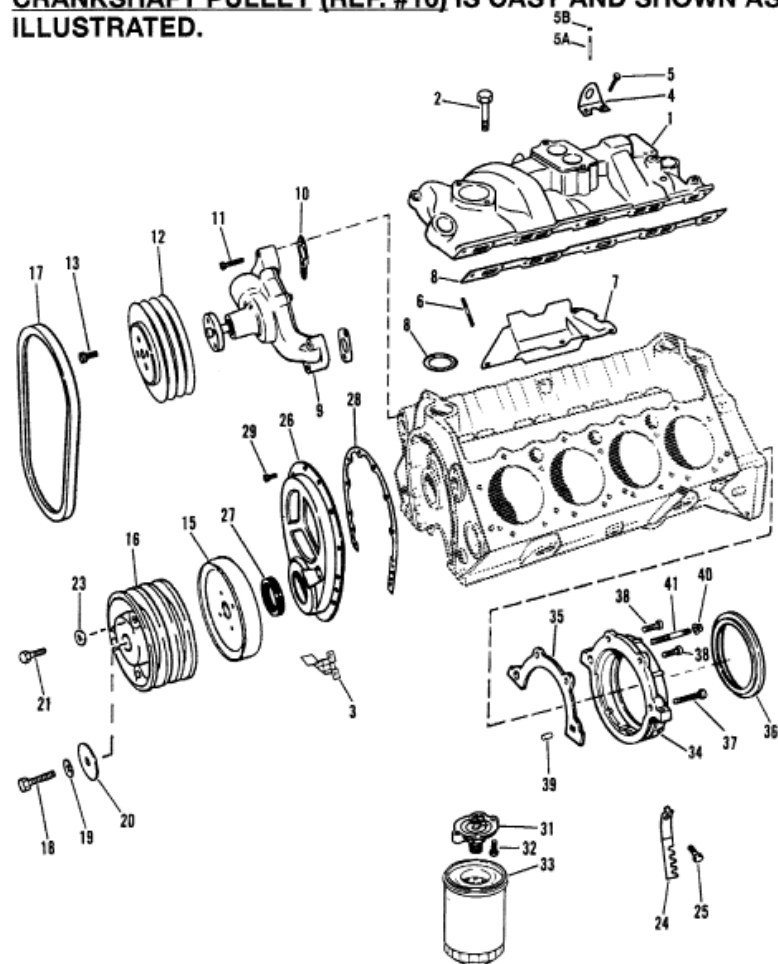


**NOTE: ORDER REPLACEMENT PARTS FROM THIS PAGE IF  
 CRANKSHAFT PULLEY (REF. #16) IS CAST AND SHOWN AS  
 ILLUSTRATED.**



1498

Parts List						
Ref	Class	Part	Description	Qty	Comment	Footnote
1		17618	INTAKE MANIFOLD	1	(4 BARREL)	
1		17619	INTAKE MANIFOLD	1	(2 BARREL)	
1		17620	INTAKE MANIFOLD	1	(4 BARREL - HI-RISE)	
2	10	806681	BOLT	9	(3/8-16 X 7/8 IN.)	
2	10	11975	BOLT	3	(3/8-16 X 1-1/4 IN.)	
3		75435A 1	TIMING POINTER	1		
4	54	47512	LIFTING EYE	1		
5	10	34354	SCREW	2		
5A	16	806250	STUD	2		
5B	11	32219	NUT	2		
6		N.S.S.	STUD (GM#3959544)	4		2
7		72647	GUARD	1		
8	27	17145	GASKET SET	1	(Use RTV Silicone Sealant for end	4
9		17437	WATER PUMP ASSEMBLY	1		
10	27	34897	GASKET	2		4
11	10	32132	SCREW	2	(1-3/4 IN.)	
11	10	47688	SCREW	1	(2-3/4 IN.)	
11	10	52200	SCREW	1	(1-1/2 IN.)	
12		15120T	PULLEY	1	(5-1/2 IN. DIA.)	
12		19692T	PULLEY	1	(7 IN. DIA.)	
13	10	47277	SCREW	4		
15		75420	HARMONIC BALANCER	1		
16		90081A 1	PULLEY	1		
17	57	49213A 1	V-BELT	1	(44 IN. - USE WITH 5-1/2 IN. DIA	
17	57	48120A 1	V-BELT	1	(46 IN. - USE WITH 7 IN. DIA. RE	
18	10	32515	BOLT	1		
19	13	39131	LOCKWASHER	1		
20	12	35332	WASHER	1		
21	10	53833	BOLT	3		
23	12	34714	WASHER	3		
24		35365	SUPPORT	2	USE WHERE APPLICABLE	
25	10	35366	SCREW (2-1/2 IN.)	2	USE WHERE APPLICABLE	
26		14249A 2	COVER	1		
27	26	97335	OIL SEAL	1		4
28	27	14250	GASKET	1		4
29	10	35366	SCREW	10		
31		53338	FILTER VALVE	1	W/O REMOTE OIL FILTER	
32	10	54786	SCREW	2	W/O REMOTE OIL FILTER	
33		14957	OIL FILTER	1	W/O REMOTE OIL FILTER	
34		14239	RETAINER (REAR)	1		
35	27	14241	GASKET	1		4