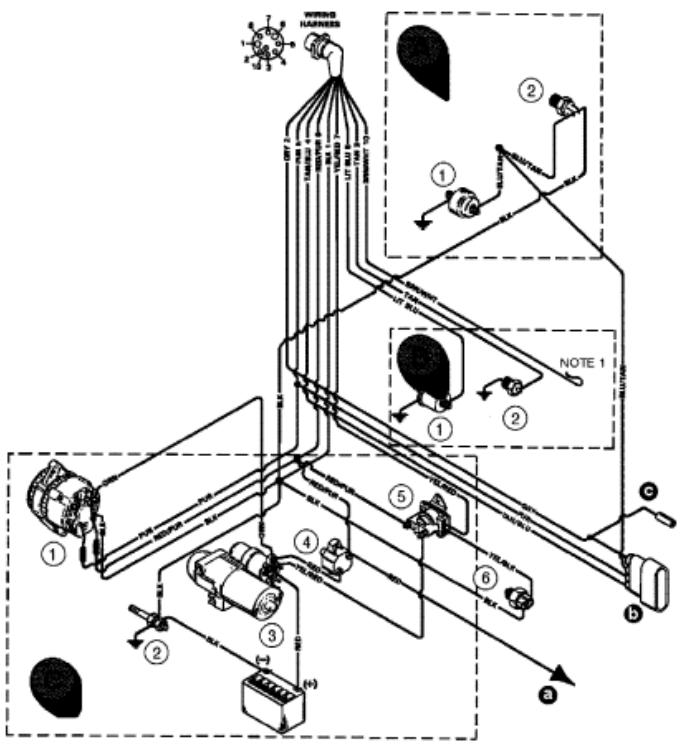


Parts List

Ref	Class	Part	Description	Qty	Comment	Footnote
-		84	861241A 2 WIRING HARNESS	1		1



- NOTE 1:** Taped back BROWN and BLACK wire may be used for an accessory. LOAD MUST NOT EXCEED 5 AMPS
- A - Audio Warning System**
    - 1 - Oil Pressure Switch
    - 2 - Transmission Fluid Temperature Switch
  - B - Instrumentation System**
    - 1 - Oil Pressure Sender
    - 2 - Water Temperature Sender
  - C - Charging and Starting System**
    - 1 - Alternator
    - 2 - Ground Stud
    - 3 - Starter
    - 4 - Circuit Breaker
    - 5 - Starter Slave Solenoid
    - 6 - Neutral Safety Switch
- a - Positive Power Wire To EFI System Harness  
 b - Harness Connector To EFI System Harness  
 c - Auxiliary Tachometer Lead