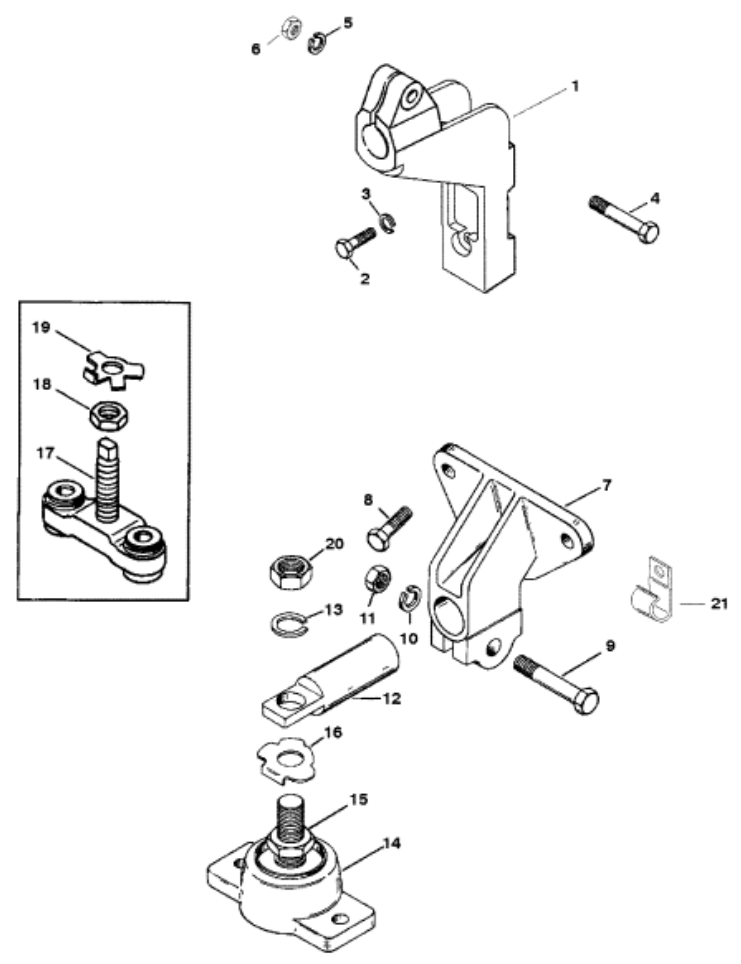


Parts List



Ref	Class	Part	Description	Qty	Comment	Footnote
1		805597T	BRACKET-REAR	2		
2	10	37269	SCREW (7/16-14 X 2 IN.)	2		
2	10	91903	SCREW (7/16-14 X 1-3/4 IN.)	2		
3	13	32993	LOCKWASHER (7/16 IN.)	4		
4	10	37269	SCREW (7/16-14 X 2 IN.)	2		
5	13	32993	LOCKWASHER (7/16 IN.)	2		
6	11	29553	NUT (7/16-14)	2		
7		71128A	BRACKET-FRONT	2		
8	10	68101	SCREW (3/8-16 X 1-3/8 IN.)	4		
8	16	805357	STUD	2		
9	10	57357	SCREW (7/16-14 X 2-1/4 IN.)	2		
10	13	32993	LOCKWASHER (7/16 IN.)	2		
11	11	29553	NUT (7/16-14)	2		
12		66166A	TRUNNION	4		
13	13	68102	LOCKWASHER	4		
14		66284A	BASE ASSEMBLY	2	ENGINE	
15	11	20739	NUT-JAM	2	ENGINE	
16	14	66658	WASHER-TAB	2	ENGINE	
17		816326A	BASE ASSEMBLY	2	TRANSMISSION	
18	11	816331	NUT-JAM	2	TRANSMISSION	
19	14	66658	WASHER-TAB	2	TRANSMISSION	
20	11	20739	NUT-JAM	4		
21	54	78945	CLAMP	1		