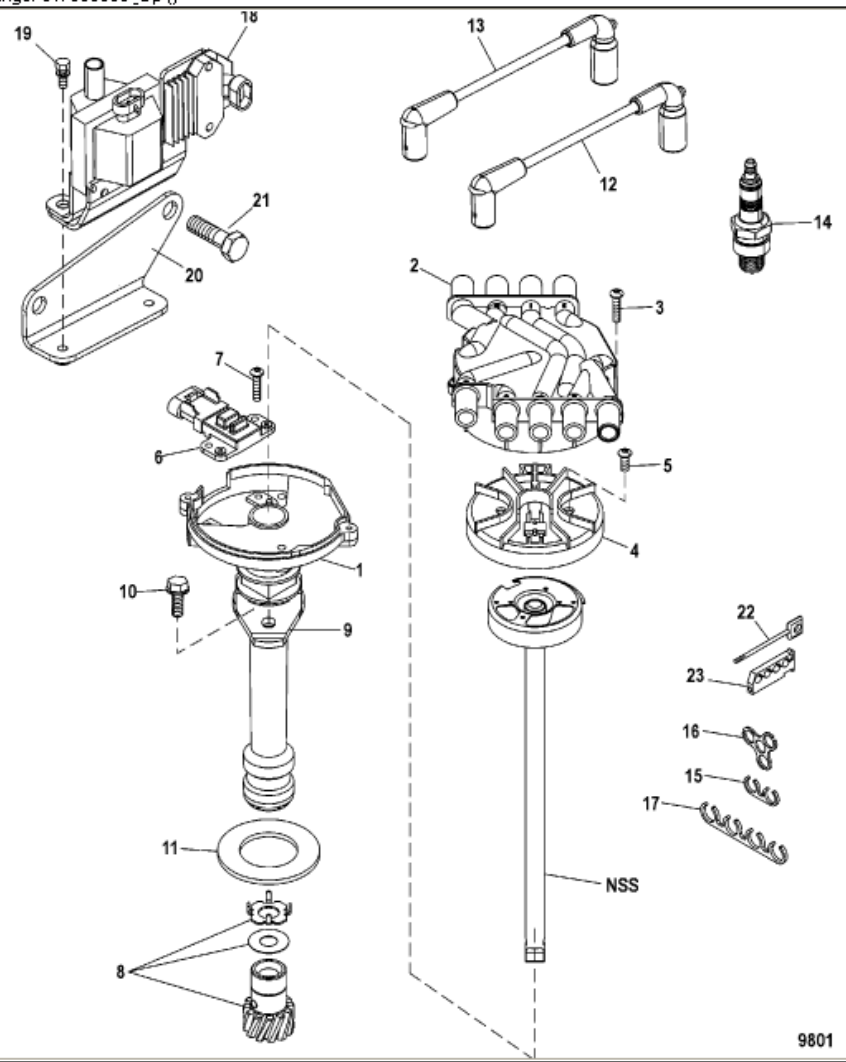


Parts List					
Ref	Class	Part	Description	Qty	Footnote
1		884794A02	DISTRIBUTOR ASSEMBLY	1	
2		898253T22	CAP, Distributor	1	
3	10	884786	SCREW	2	
4		898253013	ROTOR	1	
5	10	884788	SCREW	2	
6		898141	SENSOR, Hall Effect, Camshaft Po	1	
7	10	884788	SCREW	1	
8	43	884789	GEAR ASSEMBLY	1	
9	54	88731	CLAMP	1	
10	10	40011149	SCREW, (M8 x 25)	1	
11	27	34486 3	GASKET	1	2,4
12	84	863656A 1	CABLE KIT, Ignition ( Plug & Coil W	1	
13	84	863657A 1	CABLE, Coil Wire	1	
14	33	884019	SPARK PLUG (AC 41-932)	8	
15		54676	RETAINER, Two Wire	2	
16		32783	RETAINER, Three Wire	2	
17		32784	RETAINER, Four Wire	2	
18	392	863704T	COIL, Ignition	1	
19	10	65746 1	SCREW AND LOCKWASHER, (.25	2	
20		863663T	BRACKET, Coil	1	
20		865057T	BRACKET, Coil	1	[V-Drive]
21	10	98261	SCREW, (.375-16 x .750)	2	
22	16	90096A 1	STUD ASSEMBLY, (#10-32 x Spec	2	
23	54	72821	RETAINER	2	



9801