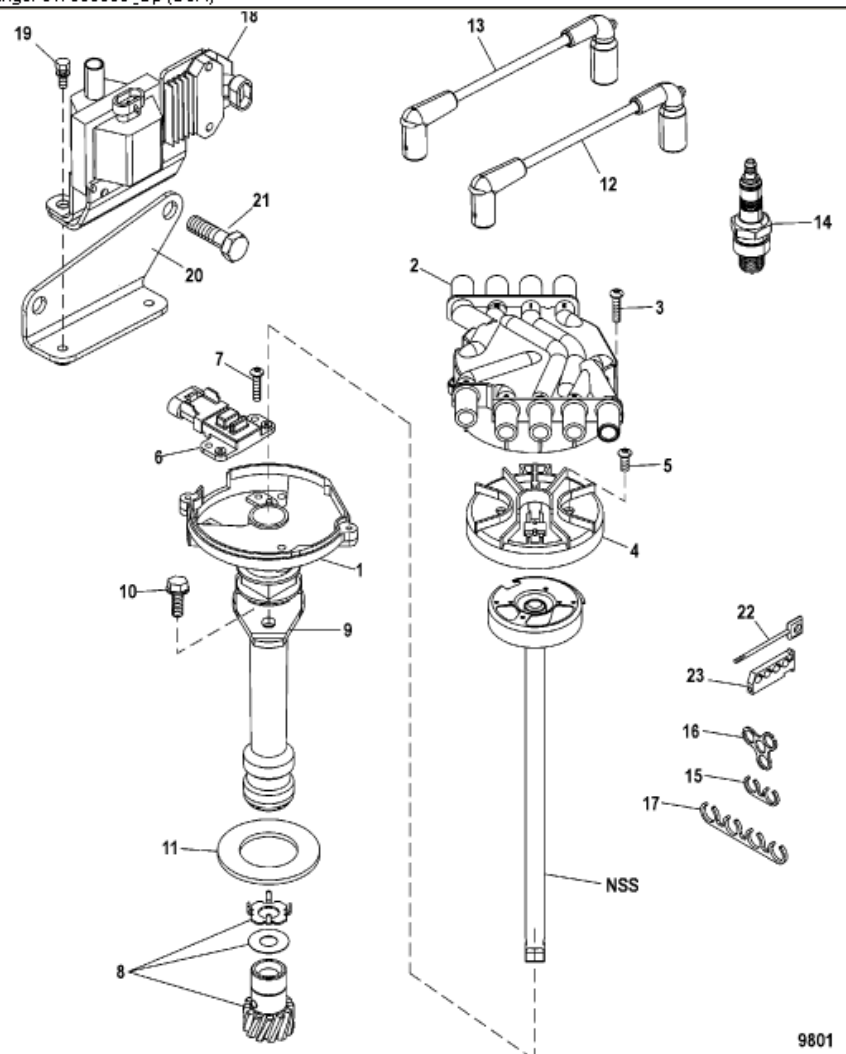


| Parts List |       |           |                                    |     |             |          |
|------------|-------|-----------|------------------------------------|-----|-------------|----------|
| Ref        | Class | Part      | Description                        | Qty | Comment     | Footnote |
| 1          |       | 884794A02 | DISTRIBUTOR ASSEMBLY               | 1   |             |          |
| 2          |       | 898253T22 | CAP, Distributor                   | 1   |             |          |
| 3          | 10    | 884786    | SCREW                              | 2   |             |          |
| 4          |       | 898253013 | ROTOR                              | 1   |             |          |
| 5          | 10    | 884788    | SCREW                              | 2   |             |          |
| 6          |       | 898141    | SENSOR, Hall Effect, Camshaft F    | 1   |             |          |
| 7          | 10    | 884788    | SCREW                              | 2   |             |          |
| 8          | 43    | 884789    | GEAR ASSEMBLY                      | 1   |             |          |
| 9          | 54    | 88731     | CLAMP                              | 1   |             |          |
| 10         | 10    | 40011149  | SCREW, (M8 x 25)                   | 1   |             |          |
| 11         | 27    | 34486 3   | GASKET                             | 1   |             |          |
| 12         | 84    | 863656A 1 | CABLE KIT, Ignition (Spark Plugs a | 1   |             |          |
| 13         | 84    | 863657A 1 | CABLE, Coil Wire Assembly          | 1   |             |          |
| 14         | 33    | 884019    | SPARK PLUG                         | 8   | (AC 41-932) |          |
| 15         |       | 54676     | RETAINER, Two Wire                 | 2   |             |          |
| 16         |       | 32783     | RETAINER, Three Wire               | 2   |             |          |
| 17         |       | 32784     | RETAINER, Four Wire                | 2   |             |          |
| 18         | 392   | 863704T   | COIL, Ignition                     | 1   |             |          |
| 19         | 10    | 65746 1   | SCREW AND LOCKWASHER, (.25         | 2   |             |          |
| 20         |       | 863663T   | BRACKET, Coil                      | 1   |             |          |
| 21         | 10    | 98261     | SCREW, (.375-16 x .750)            | 2   |             |          |
| 22         | 16    | 90096A 1  | STUD ASSEMBLY, (#10-32 x Spec      | 2   |             |          |
| 23         | 54    | 72821     | RETAINER                           | 2   |             |          |



9801