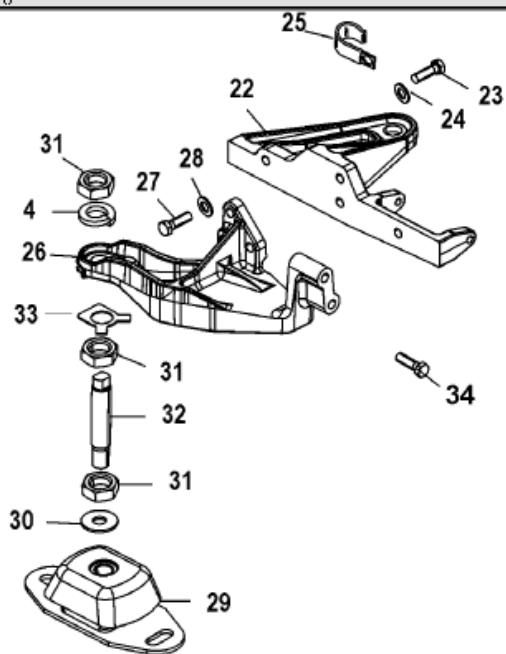
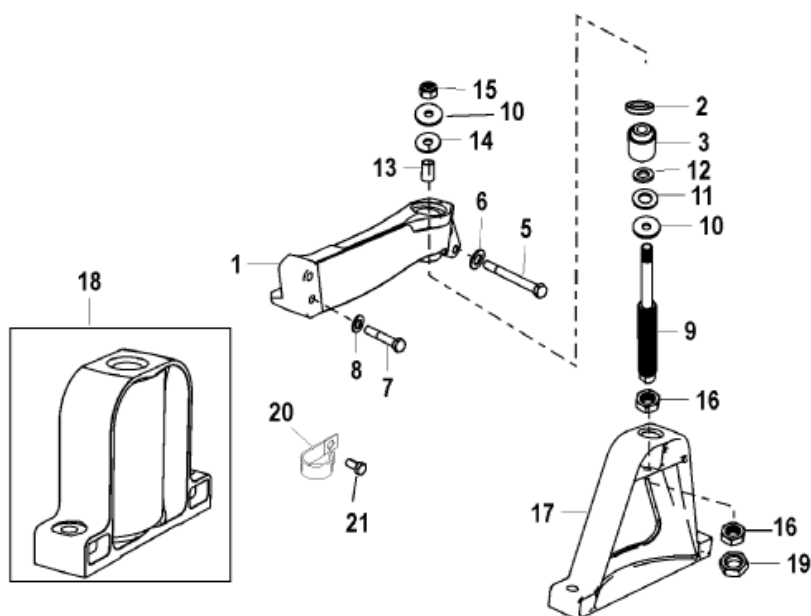


SIDE MOUNT



FRONT MOUNT



Parts List

Ref	Class	Part	Description	Qty	Comment	Footnote
1		73571A 2	BRACKET ASSEMBLY	1		
2	23	35903	SPACER	1		
3		32833	MOUNT	1		
4	13	68102	LOCKWASHER, (.750)	2		
5	10	32557	SCREW, (.437-14 x 4.625)	2		
6	12	22248	WASHER, (.453 x .875 x .060)	2		
7	10	26486	SCREW, (.375-16 x 2.375)	2	Without Power Steering	
8	10	47688	SCREW, (.375-16 x 2.750)	2	With Power Steering	
9	12	20553	WASHER, (.406 x .734 x .063)	2		
10	16	36100T	STUD	1		
11	12	36103	WASHER, (1.75 Inch Outside Diam	2		
12	12	32638	WASHER, Rubber	1		
13	12	30119	WASHER, (.875 Inch Outside Diam	1		
14	23	32756	SPACER	1		
15	12	36104	WASHER, Rubber	1		
16	11	826713 17	NUT, (.500-20)	1		
17	11	32982	NUT, (.875-14)	2		
18		32778T	SUPPORT	1		
19		76409F 1	SUPPORT	OPT		
20	11	47525	NUT, (.875-14), Bottom	1		
21	54	78945	J CLAMP	1		
22	10	98261	SCREW, (.375-16 x .750)	1		
23		863384T	MOUNT, Port	1		
24	10	37612	SCREW, (.375-16 x 1.250)	3		
25	10	865982005	SCREW, (.375-16 x 1.00)	1		
26	12	20553	WASHER, (.406 x .734 x .063)	3		
27	54	78945	J CLAMP	1		
28		863385T	MOUNT, Starboard	1		
29	10	34354	SCREW, (.375-16 x 1.50)	1		
30	10	865982005	SCREW, (.375-16 x 1.00)	2		
31	12	20553	WASHER, (.406 x .734 x .063)	1		
32		98323A 6	BASE ASSEMBLY	1		
33	12	33171	WASHER, (.6406 x 1.750 x .125)	2		
34	11	20739	NUT, (.750-16)	8		
	16	816327	STUD, (.750-16 x Special)	2		
	14	863844	RETAINER	2		
	10	78259	SCREW	2	To Crank Position Sensor Bracket	