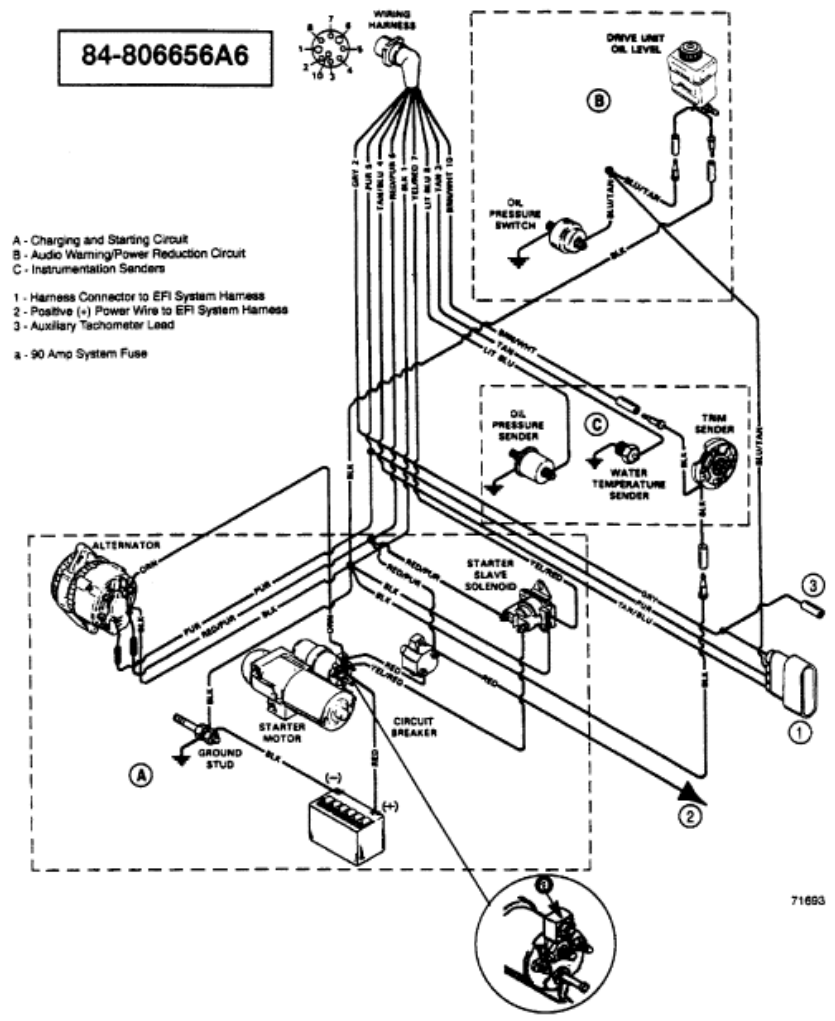


Parts List

84-806656A6



- A - Charging and Starting Circuit
 - B - Audio Warning/Power Reduction Circuit
 - C - Instrumentation Senders
- 1 - Harness Connector to EFI System Harness
 - 2 - Positive (+) Power Wire to EFI System Harness
 - 3 - Auxiliary Tachometer Lead
- a - 90 Amp System Fuse

71693

Ref	Class	Part	Description	Qty	Comment	Footnote
84		806656A 6	WIRING HARNESS (ENGINE)	-		