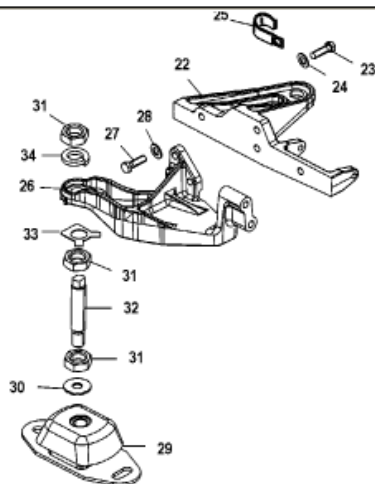
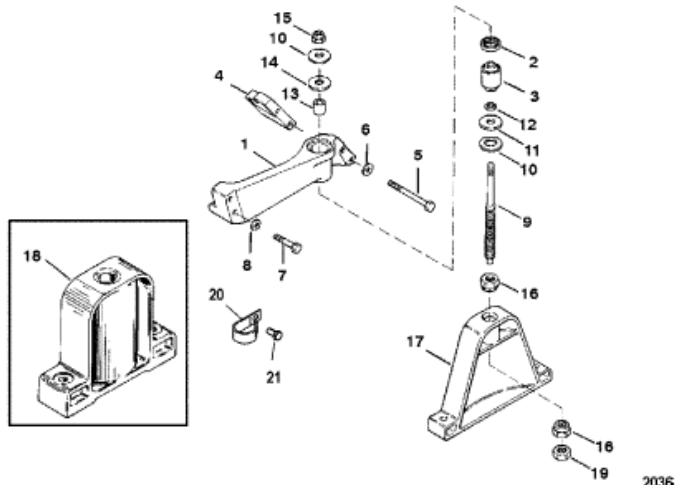


SIDE MOUNT



FRONT MOUNT



Parts List

Ref	Class	Part	Description	Qty	Comment	Footnote
1		73571A 2	BRACKET ASSEMBLY	1		
2	23	35903	SPACER	1		
3		32833	MOUNT	1		
4		35862	BLOCK	1		
5	10	32557	SCREW, (.437-14 x 4.625)	2		
6	12	22248	WASHER, (.453 x .875 x .060)	2		
7	10	26486	SCREW, (.375-16 x 2.375)	2	(Without Power Steering)	
7	10	47688	SCREW, (.375-16 x 2.750)	2	(With Power Steering)	
8	12	20553	WASHER, (.406 x .734 x .063)	2		
9	16	36100T	STUD	1		
10	12	36103	WASHER, (1.75 Inch Outside Diam)	2		
11	12	32638	WASHER, Rubber	1		
12	12	30119	WASHER, (.875 Inch Outside Diam)	1		
13	23	32756	SPACER	1		
14	12	36104	WASHER, Rubber	1		
15	11	826713 17	NUT, (.500-20)	1		
16	11	32882	NUT, (.875-14)	2		
17		32778T	SUPPORT	1		
18		76409F 1	SUPPORT	OPT		
19	11	47525	NUT, (.875-14), Bottom	1		
20	54	78945	J CLAMP	1		
21	10	98261	SCREW, (.375-16 x .750)	1		
22		863384T	MOUNT, Port	1		
23	10	37612	SCREW, (.375-16 x 1.250)	3		
23	10	865982005	SCREW, (.375-16 x 1.00)	1		
24	12	20553	WASHER, (.406 x .734 x .063)	3		
25	54	78945	J CLAMP	1		
26		863385T	MOUNT, Starboard	1		
27	10	34354	SCREW, (.375-16 x 1.50)	1		
27	10	865982005	SCREW, (.375-16 x 1.00)	2		
28	12	20553	WASHER, (.406 x .734 x .063)	1		
29		98323A 6	BASE ASSEMBLY	1		
30	12	33171	WASHER, (.6406 x 1.750 x .125)	2		
31	11	20739	NUT, (.750-16)	8		
32	16	816327	STUD, (.750-16 x Special)	2		
33	14	863844	RETAINER	2		
34	13	68102	LOCKWASHER, (.750)	2		