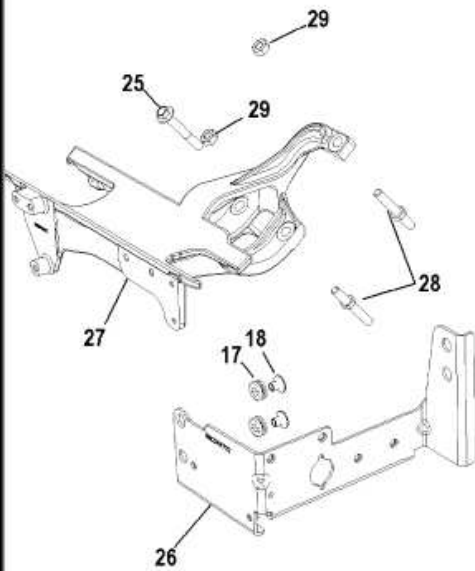


Parts List						
Ref	Class	Part	Description	Qty	Comment	Footnote
1		32778T	SUPPORT	1		
2	16	36100T	STUD	1		
3	11	32882	NUT, (.875-14)	1		
4	11	47525	NUT, (.875-14)	1		
5	11	32882	NUT, (.875-14)	1		
6	12	36103	WASHER, (Steel, 1.75 Inch Outsid	1		
7	12	32638	WASHER, Rubber	1		
8	11	826713 17	NUT, (.500-20)	1		
9	12	36103	WASHER, (Steel, 1.75 Inch Outsid	1		



File Edit View Favorites Tools Help

Back Forward Stop Search Folders

Address **C:\Documents and Settings\Administrator.MARINE-D038D365\My Documents\Mercruiser PDF\100 VAZER EC\1A035295+** Go

**File and Folder Tasks**

- Make a new folder
- Publish this folder to the Web
- Share this folder

**Other Places**

- 100 VAZER EC
- My Documents
- Shared Documents
- My Computer
- My Network Places

**Details**

**1A035295+**  
File Folder

Date Modified: Today, January 30, 2010, 7:58 PM

PDF Plus Document	PDF Plus Document
PDF Cylinder Block Camshaft Valley.pdf PDFPlus.Document	PDF Cylinder Block Crankshaft and Flywheel.pdf PDFPlus.Document
PDF Cylinder Block Cylinder Head Assembly.pdf PDFPlus.Document	PDF Cylinder Block Flywheel Housing and Coupler.pdf PDFPlus.Document
PDF Cylinder Block Oil Pan.pdf PDFPlus.Document 78 KB	PDF Cylinder Block Oil Pump and Water Pump.pdf PDFPlus.Document
PDF Cylinder Block Piston.pdf PDFPlus.Document 41 KB	PDF Cylinder block Stater.pdf PDFPlus.Document 63 KB
PDF Cylinder Block Timing Components.pdf PDFPlus.Document	PDF Electrical Components Coil Spark Plugs and Wires.pdf PDFPlus.Document
PDF Electieca Components PCM Circuit Breaker Lube Bottle.pdf PDFPlus.Document	PDF Electrcal Components Wire Harnesses.pdf PDFPlus.Document
PDF Engine Brackets.pdf PDFPlus.Document 58 KB	PDF Engine Cover.pdf PDFPlus.Document 36 KB
PDF Exhaust System Crossover and Exhaust Pipe.pdf PDFPlus.Document	PDF Exhaust System Intermediate pipe and Elbow.pdf PDFPlus.Document
PDF Exhaust System Manifold.pdf	PDF Front Accessory Drive Belts and

27810